

Components for BZC8050 Control Stations BD8050 Series Indicators



Explosion protection to

- CENELEC
- IEC
- NEC

Can be used in

- Zone 1 and Zone 2
- Zone 21 and Zone 22
- Class I, Zone 1 and Zone 2

Class I, Division 2, Groups A , B, C, D

Available in

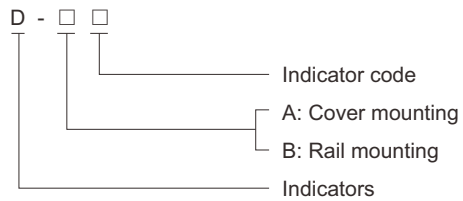
- red
- green
- yellow
- blue
- white

Two mounting types

- cover mounting
- rail mounting

Catalogue number logic

BD8050(D for short)



Zones 1&2; 21&22

Components for BZC8050 Control Stations BD8050 Series Indicators

Selection table							
Version	Voltage	Schematic diagram	Colour	Code	Ordering code	Weight (kg)	
<p>Indicator</p>  <p>A: Cover mounting</p>  <p>B: Rail mounting</p>	<p>Rated voltage: AC 230V...AC 415V Voltage range: -10%...+6% Frequency: 50Hz...60Hz</p>		Red	Ra	40099A/40099B	0.05	
			Green	Ga	40100A/40100B		
			Yellow	Ya	40101A/40101B		
			Blue	Ba	40166A/40166B		
			White	Wa	40102A/40102B		
		<p>Rated voltage: AC/DC 48V...110V Voltage range: -10%...+6% Frequency: 0Hz...60Hz</p>		Red	Rb	40103A/40103B	0.05
				Green	Gb	40104A/40104B	
				Yellow	Yb	40105A/40105B	
				Blue	Bb	40167A/40167B	
		<p>Rated voltage: AC/DC 12V...36V Voltage range: -10%...+6% Frequency: 0Hz...60Hz</p>		Red	Rc	40107A/40107B	0.05
				Green	Gc	40108A/40108B	
				Yellow	Yc	40109A/40109B	
				Blue	Bc	40168A/40168B	
				White	Wc	40110A/40110B	
		<p>Rated voltage: DC 220V, 380V Voltage range: -10%...+6%</p>		Red	Rd	40111A/40111B	0.05
Green				Gd	40112A/40113B		
Yellow				Yd	40113A/40113B		
Blue				Bd	40169A/40169B		
<p>Indicator cover</p>  <p>A: Cover mounting</p>			Red	a	40115A	0.05	
			Green	b	40116A		
			Yellow	c	40117A		
			White	d	40118A		
			Blue	e	40170A		
<p>Indicator cover</p>  <p>B: Rail mounting</p>			Red	a	40115B	0.05	
			Green	b	40116B		
			Yellow	c	40117B		
			White	d	40118B		
			Blue	e	40170B		



Components for BZC8050 Control Stations

BD8050 Series Indicators

Technical data

Indicators BD8050

Explosion protection

Global (IECEX)

Gas

Europe (ATEX)

Gas

Certificates

Conformity to standards

Rated voltage

Rated current

Frequency

Rated output wattage

Service life

Ambient temperature

Colour

Lamp

Enclosure material

Terminal

Indicator cover material

IECEX CQM 11.0012U

Ex d e IIC Gb

LCIE 09 ATEX 3098U

⊕ II 2 G Ex d e IIC Gb

IECEX; ATEX; CU-TR

EN 60079-0, EN 60079-1, EN 60079-7

IEC 60079-0, IEC 60079-1, IEC 60079-7

12V...415V AC/DC (-10%...+6%)

Max.15mA

0Hz...60Hz

Max.1W

10⁵ hours

-20 ~+70 (ATEX), -20 ~+80 (IECEX)

Red, green, yellow, blue, white

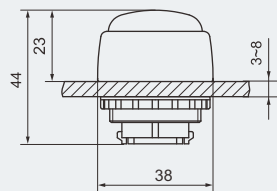
LED

Polyamide (PA66)

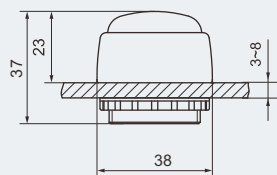
Suitable for 2.5mm² cable

PC

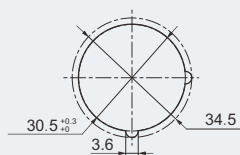
Dimension drawings (all dimensions in mm) - subject to alteration



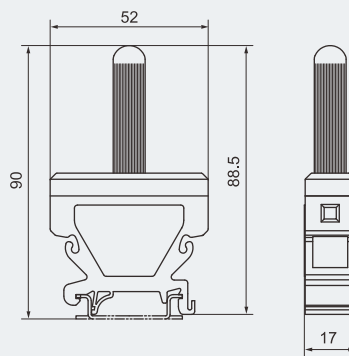
A: Cover mounting



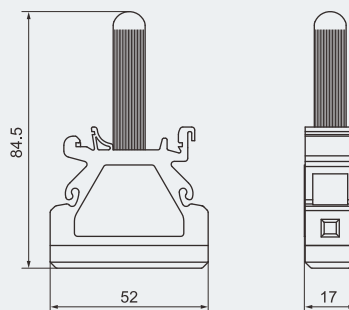
B: Rail mounting
Indicator cover



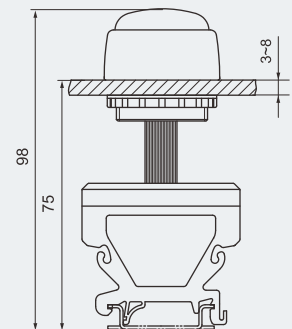
Mounting hole



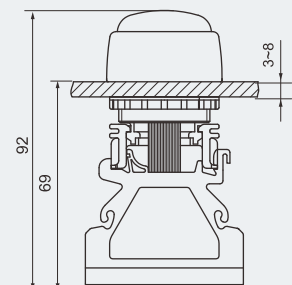
Indicator
(rail mounting)



Indicator
(cover mounting)



Rail mounting



Cover mounting

