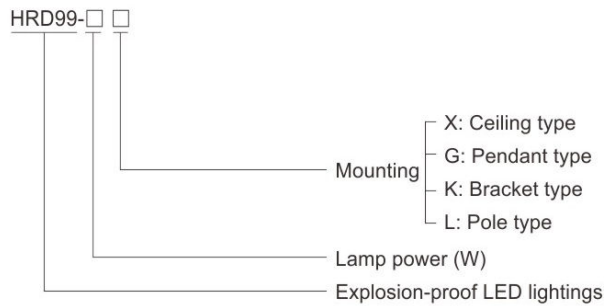


LED Light Fittings HRD99 Series Explosion-proof LED Lightings



- ◆ Explosion protection to
 - CENELEC
 - IEC
 - NEC
- ◆ Can be used in
 - Zone 1 and Zone 2
 - Zone 21 and Zone 22
 - Class I, Zone 1 and Zone 2
 - Class I, Division 1, Groups A, B, C, D
- ◆ Applicable lamp and power (max.100W)
 - LED : 20W, 30W, 50W, 70W, 80W, 100W,
- ◆ Isolated LED lamp compartment, CC-CV (constant current - constant voltage) power controller compartment and terminal compartment; Wind-convection heat dissipation structure
- ◆ Low-maintenance due to long service life is up to 100,000 operating hours.

Catalogue number logic



Selection table

Type / Ordering code	Lamp power(W)
HRD99-20 □	20
HRD99-30 □	30
HRD99-50 □	50
HRD99-70 □	70
HRD99-80 □	80
HRD99-100 □	100

Note: 1. Products above include all the mounting accessories listed in Mounting Accessories & Spare Parts Table (see P2/73).
2. The product is supplied according to "Type/Ordering code" in the table with mounting accessories.

Zones 1&2; 21&22

LED Light Fittings

HRD99 Series Explosion-proof LED Lightings

Technical data

Explosion-proof LED lightings HRD99-□□

Explosion protection

Global (IECEX)	IECEX (applied for)
Gas and dust	Ex db IIB T6/T5 Gb Ex db IIC T6/T5 Gb Ex tb IIIC T80°C/T95°C Db

Europe (ATEX) ATEX (applied for)

Gas and dust	⊕ Ex II 2 G Ex db IIB T6/T5 Gb ⊕ Ex II 2 G Ex db IIC T6/T5 Gb ⊕ Ex II 2 D Ex tb IIIC T80°C/T95°C Db
--------------	---

Certificates

IECEX; ATEX; CU-TR

Conformity to standards

EN 60079-0, EN 60079-1, EN 60079-31
IEC 60079-0, IEC 60079-1, IEC 60079-31

Material

Enclosure	Copper-free aluminium alloy, powder coated surface, yellow (RAL1021)
Transparent cover	Toughened glass, stands 4J impact
Exposed fastener	Stainless steel
LED driver	Wide voltage input, CC-CV (constant current - constant voltage) output, power factor ≥ 0.95 , with function of distributed current, constant current, surge-proof and anti-electromagnetic interference, and protection against overcurrent, open circuit, and short circuit

Lamp

Lamp specification	Integrated LED, Multiple LED
Lamp power (W)	20W, 30W, 50W, 70W, 80W, 100W
Colour rendering index (Ra)	≥ 80
Colour temperature (CCT)	5700K Note: cool white is available in general. Warm white or nature white is optional, please specify when ordering.

Rated voltage

220~240V AC 50/60Hz, 24~48V DC

Earthing protection

M5 (internal & external earth bolts)

Degree of protection

IP66

Ambient temperature

IIB T6 / IIIC T80°C for Tamb: -40°C~+40°C
IIB T5 / IIIC T95°C for Tamb: -40°C~+58°C
IIC T6 for Tamb: -20°C~+40°C
IIC T5 for Tamb: -20°C~+58°C

Terminal

3 x 1.5~4mm² (L+N+PE)

Mounting

Bracket type, Ceiling type, Pendant type, Pole type

Cable entries

M25 x 1.5

Cable gland

See Mounting Accessories & Spare Parts Table

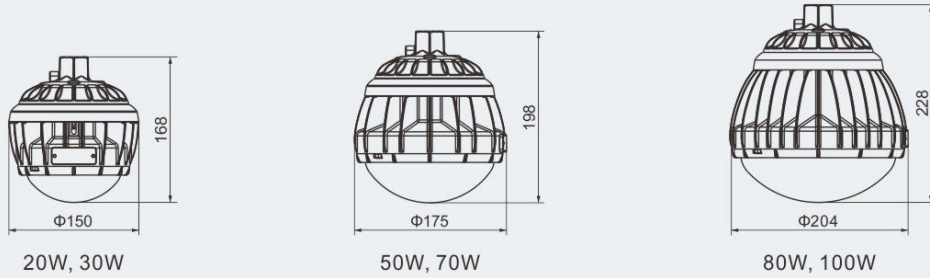
Available cable outer diameter

Φ 10~Φ 14(mm)



LED Light Fittings HRD99 Series Explosion-proof LED Lightings

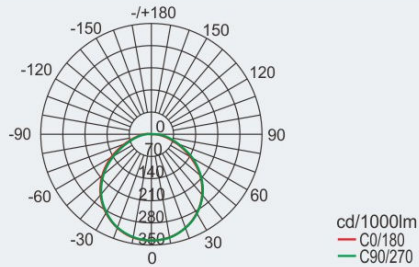
Dimension drawings (all dimensions in mm) - subject to alteration



Photometric data Note: LED luminous flux is from the standard product of which colour temperature is 5700K (cool white).

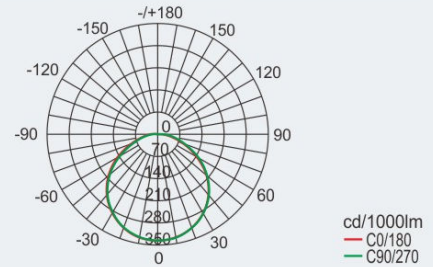
HRD99-20□

Lamp power (W)	Luminous flux	Wattage
20	2500lm	23W



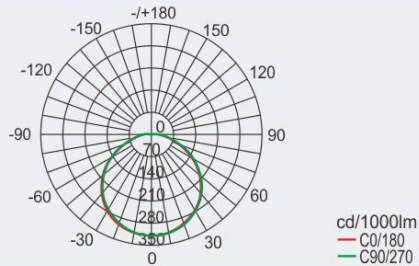
HRD99-30□

Lamp power (W)	Luminous flux	Wattage
30	3300lm	31W



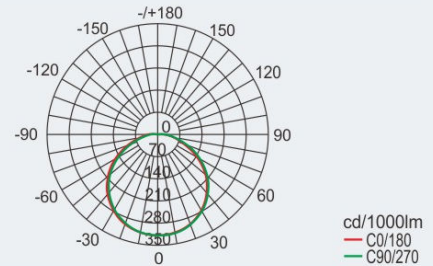
HRD99-50□

Lamp power (W)	Luminous flux	Wattage
50	6500lm	55W



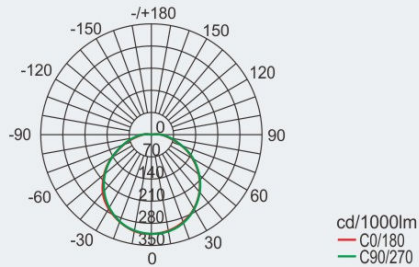
HRD99-70□

Lamp power (W)	Luminous flux	Wattage
70	8300lm	74W



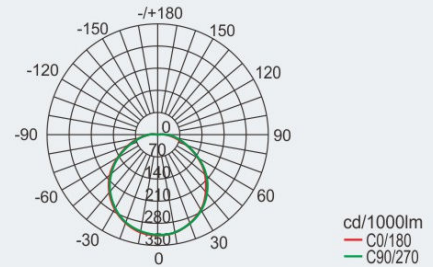
HRD99-80□

Lamp power (W)	Luminous flux	Wattage
80	9400lm	78W



HRD99-100□

Lamp power (W)	Luminous flux	Wattage
100	11700lm	104W

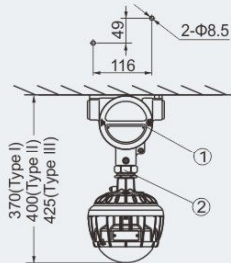


We can provide lighting design and data by professional lighting software DIALUX based upon simulated site situation on request.

LED Light Fittings HRD99 Series Explosion-proof LED Lightings

Mounting type (all dimensions in mm) - subject to alteration

X: Ceiling type

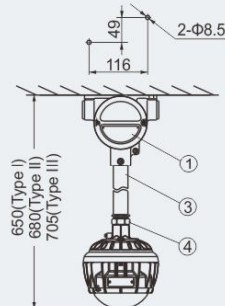


Weight: 2.40kg (20W)(30W)
3.00kg (50W)(70W)
3.80kg (80W)(100W)

Accessories supplied with the light fittings:

- ①. BHD51-F(Ex d IIC, copper-free aluminium alloy)
- ②. BGJ-III Explosion-proof connector
M25×1.5(M)/M25×1.5 (M), Stainless steel.

G: Pendant type

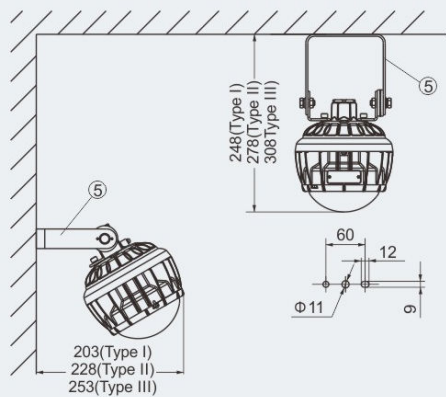


Weight: 2.80kg (20W)(30W)
3.40kg (50W)(70W)
4.20kg (80W)(100W)

Accessories supplied with the light fittings:

- ①. BHD51-F(Ex d IIC, copper-free aluminium alloy).
- ③. Straight pipe(M25×1.5), length: 300mm.
- ④. BGJ-III Explosion-proof connector
M25×1.5(M)/M25×1.5(F), Stainless steel.

K: Bracket type

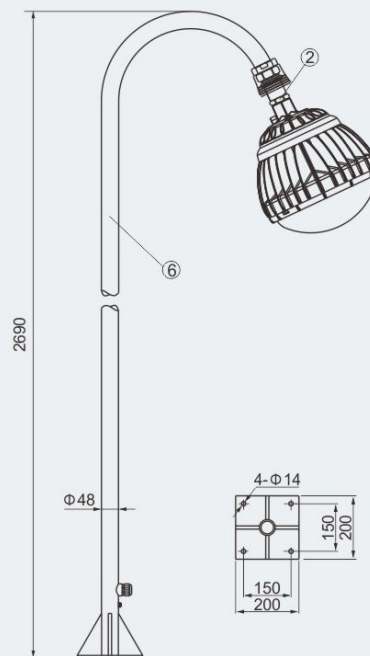


Weight: 1.70kg (20W)(30W)
2.30kg (50W)(70W)
3.00kg (80W)(100W)

Accessories supplied with the light fittings:

- ⑤. Mounting bracket, sheet steel, powder coated.

L: Pole type



Weight: 1.60kg (20W)(30W)
2.20kg (50W)(70W)
2.90kg (80W)(100W)

Accessories supplied with the light fittings:

- ②. BGJ-III Explosion-proof connector
M25×1.5(M)/M25×1.5 (M), Stainless steel.
- ⑥. Pole (shall be provided by user)

