

ATEX LED Torch

Zones: 0, 1, 2, 20, 21 and 22



Product Overview

The Wolf ATEX LED Torch is an ATEX and IECEx certified primary cell LED right angle safety torch, using the latest technology to give excellent performance, robustness and reliability for safe use in Zones 1 and 2 potentially explosive gas and Zones 21 and 22 dust atmospheres (TR-40/TR-40+). A Zone 0 and Zone 20 version is available (TR-45). All Group I approved for use in mining applications.

This high strength right-angle torch is extremely robust and reliable, with proven shock protection, even at sub zero temperatures, rubber armoured lens ring and end cap, scratch and chemical attack resistance glass lens with an IP67 enclosure. The compact, lightweight and ergonomic torch body gives enhanced grip and comfort for the user with easy single-handed switching, even with gloved hands, plus the replaceable high strength clip allows for hands free use. Supplied as standard with wrist strap and clip ring.

Its unique optics deliver a piercing beam of outstanding light, combined with a lower level flood of fringe light, from a high power 'fitted for life' LED giving a peak of up to 192 lumens light output. Four AA/LR6 primary alkaline cells fitted in a cassette provide a light duration at full brightness of up to 6 hours and thereafter a low level light for many hours. The TR-40+ model has a low battery power indicator allowing a user to monitor the state of battery charge as it diminishes, a red flashing light is emitted through the side of the torch body while battery power and light output is high, but switching to continuous red when battery and light output is low, warning battery replacement is required.

The Wolf ATEX LED Torch is very low maintenance with quick and easy parts replacement, a full spares service is offered for all internal and external fittings, and the LED is expected to last the product's lifetime.

Features & Benefits

- ATEX and IECEx certified for Zones 1 and 21, plus Zones 0 and 20 version available, explosive gas and dust atmospheres
- High power 'fitted for life' LED for outstanding light output, no bulb replacement required
- Focussed spot beam with wide angle fringe of light
- Compact and lightweight ergonomic torch design
- Up to 192 lumens light output with up to 6 hours duration
- 4 x AA primary cells with low power indicator (+ model only)
- Supplied with wrist strap and clip ring
- Very low maintenance, quick and easy parts replacement
- All models with Group I Mining Approval

Certifications

**NATO**

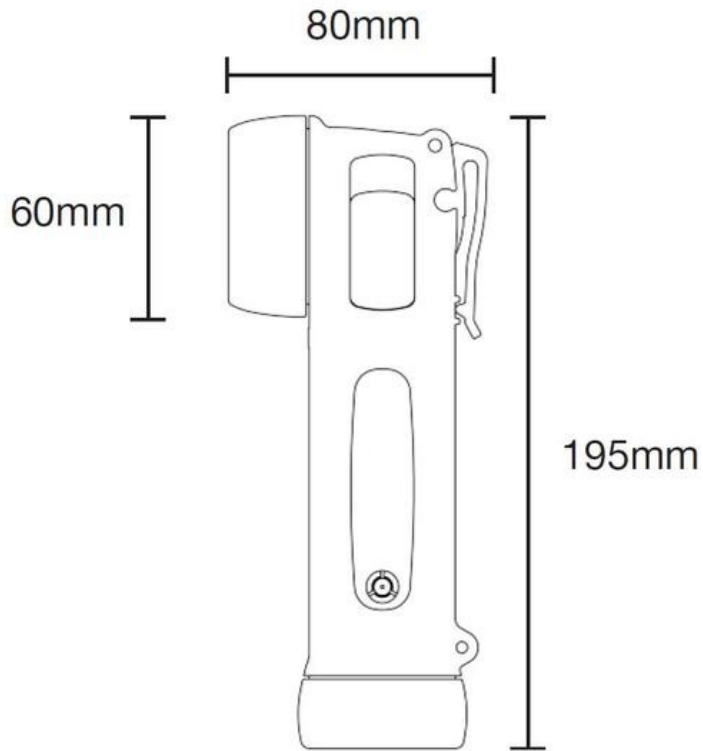
Technical Specification

Product Reference		TR-40	TR-40+	TR-45
Product Description		Primary Cell LED Right Angle Safety Torch		
		Yellow Body Zone 1 and 21	Yellow Body Zone 1 and 21 Low Battery Indicator	Yellow Body Zone 0 and 20
Code	Industrial	I M2/II 2GD Ex ib I Mb/IIC T3/T4 Gb -40°C ≤ Ta ≤ +40°C Ex ib IIIB T200°C Db IP67		I M1/II 1GD Ex ia I Ma/IIC T3/T4 Ga -40°C ≤ Ta ≤ +40°C Ex ia IIIB T200°C Da IP67
	Mining	I M2 Ex ib IP67		I M1 Ex ia IP67
Type of Protection		'ib' intrinsic safety		'ia' intrinsic safety
Area of Classification (Gas)		Zones 1 and 2 Gas Groups IIA, IIB and IIC		Zones 0, 1 and 2 Gas Groups IIA, IIB and IIC
Max Surface Temp (Gas)		T3 or T4 (dependant on cell type used)		
Area of Classification (Dust)		Zones 21 and 22		Zones 20, 21 and 22
		Dust Groups IIIA and IIIB		
Max Surface Temp (Dust)		200°C		
Ambient Temperature (Dust)		-40°C to +40°C		
Certificate		ATEX Baseefa07ATEX0091X IECEX BAS 06.0089X		
Enclosure		Impact Resistant Thermoplastic, Chemical Resistant, Static Dissipative		
Lens		Toughened Glass 4mm		
Beam Type		High Output Spot Beam with Wide Angle Fringe of Light		
Light Source:	Type	High Power LED		
	Power	1.4 Watts		
	Output	Up to 192 lm		
	Life	25,000hrs+ (Fitted for Life)		
Power Source:	Part Number	TP-295 - 4 x LR6 Cells (T4 Temperature Classification) (Batteries not supplied with torch - To be ordered separately)		
	Cell Type	LR6 Primary Cells to IEC60086, Alkaline AA cells		
	Volts	4 x 1.5v		
Low Battery Indicator		-	Yes	-

Light Duration	Up to 6 hours
Ingress Protection	IP67
Weight (inc. cells)	0.350Kg

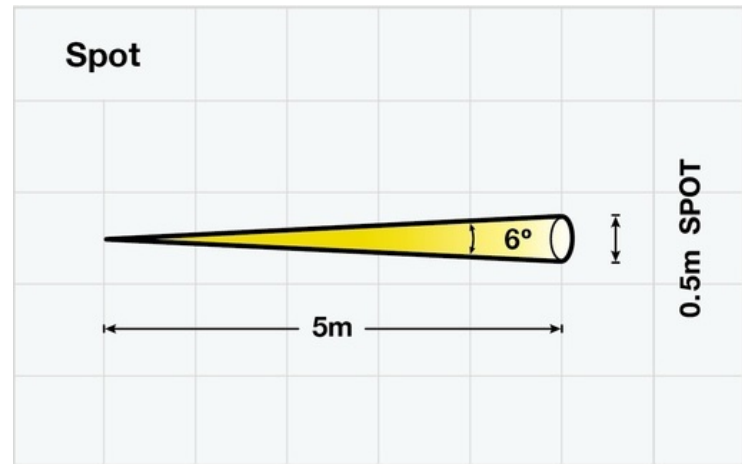
- All information has been gathered under laboratory conditions, the user must regard the values given as approximate.
- Changes may be made to the above specification without notification, details are available on request.

Product Dimensions



Light Output

LED Beam (approx 6°)
Peak luminous intensity at 5m **550lux**



Version: SL016 DF410 Issue 7



Wolf Safety Lamp Company, Saxon Road Works, Sheffield, S8 0YA, UK

T: +44 (0) 114 255 1051

F: +44 (0) 114 255 7988

E: info@wolf-safety.co.uk

www.wolf-safety.co.uk

