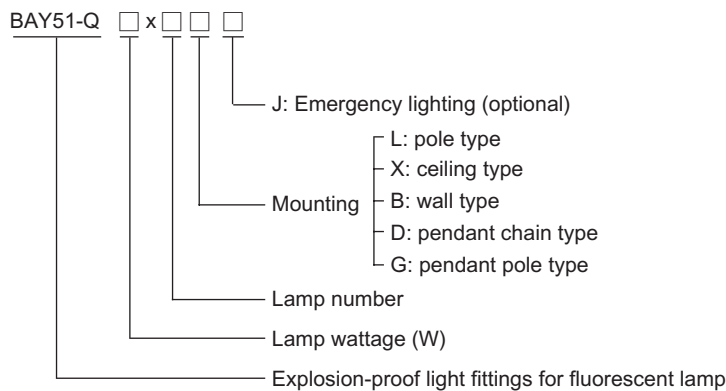


Light Fittings for Fluorescent Lamp BAY51-Q Series Explosion-proof Light Fittings for Fluorescent Lamp

- ◆ Explosion protection to
 - CENELEC
 - IEC
 - NEC
- ◆ Can be used in
 - Zone 1 and Zone 2
 - Zone 21 and Zone 22
- ◆ Two enclosure types: 18W, 36W.
- ◆ Enclosure in glass fiber reinforced polyester, diffuser in polycarbonate, corrosion-proof.
- ◆ Ex e enclosure with explosion-proof components inside.
- ◆ Safety interlock between enclosure and diffuser switches off on opening.
- ◆ Electronic ballast, power factor ≥ 0.95 .
- ◆ Emergency unit with protections against over charge and over discharge.
- ◆ End of lamp life (EOL) rectification effect protection.



Catalogue number logic



Zones 1&2; 21&22

Light Fittings for Fluorescent Lamp

BAY51-Q Series Explosion-proof Light Fittings for Fluorescent Lamp

Technical data					
Explosion-proof light fittings for fluorescent lamp BAY51-Q □ x □□					
Explosion protection	<p>⊕ II 2 G Ex deq IIC T4 Ex tD A21 T80°C IP66</p> <p>LCIE 06 ATEX 6035X; IECEx CQM 07.0007; BR229577 (Brazil) S-XPL/04547 (South Africa); FM (USA); GOST.R (Russia) PCEC (China)</p> <p>EN 60079-0:2004, EN 60079-1:2004, EN 60079-5:2007, EN 60079-7:2003 IEC 60079-0: 2004, IEC 60079-1:2003, IEC 60079-5:2007, IEC 60079-7:2001 IEC 61241-0:2004, IEC 61241-1:2004</p> <p>GRP, stands 7J impact, corrosion-proof Polycarbonate, 90% light transmission, stands 7J impact Explosion-proof electronic ballast, power factor ≥ 0.95, with protection against short circuit, overload, lamp aging, lamp damage and dissymmetry power of lamp tube. Certificate No.: LCIE 06 ATEX 0003U; IECEx CQM 07.0005U; BR229576-U (Brazil). Stainless steel BZX-6 explosion-proof distance switch, switching off on opening. Certificate No.: LCIE 06 ATEX 0002U, IECEx CQM 07.0006U</p> <p>PHILIPS T8 (supplied with the light fittings)</p> <table border="1" style="margin-left: 20px;"> <tr> <td>36W x 2</td> <td>18W x 2</td> </tr> <tr> <td>36W x 1</td> <td>18W x 1</td> </tr> </table> <p>96~254V AC 50/60Hz II (Protection against electric shock) IP66 -20°C ~ +55°C 3 x 1.5~4mm² (L+N+PE) 4 x Ø26: 2 x M25 x 1.5 cable gland (DQM-I Ex e, plastic), 2 x M25 x 1.5 plug. Ø9~Ø16 (mm)</p>	36W x 2	18W x 2	36W x 1	18W x 1
36W x 2		18W x 2			
36W x 1		18W x 1			
Gas explosion protection					
Dust explosion protection					
Certificates					
For gas explosion protection					
For dust explosion protection					
Conformity to standards					
Material					
Enclosure					
Diffuser					
Ballast					
Exposed fastener					
Interlock					
Lamp					
Lamp brand					
Lamp wattage (W)					
Rated voltage					
Protection class					
Degree of protection					
Ambient temperature					
Terminal					
Cable entries					
Available cable outer diameter					



Selection table					
Type/Ordering code	Lamp wattage(W)	Weight(kg)	Type/Ordering code	Lamp wattage(W)	Weight(kg)
BAY51-Q36 x 1L	36 x 1	11.40	BAY51-Q36 x 2L	36 x 2	11.60
BAY51-Q36 x 1X	36 x 1	11.30	BAY51-Q36 x 2X	36 x 2	11.40
BAY51-Q36 x 1B	36 x 1	12.30	BAY51-Q36 x 2B	36 x 2	12.50
BAY51-Q36 x 1D	36 x 1	12.60	BAY51-Q36 x 2D	36 x 2	12.75
BAY51-Q36 x 1G	36 x 1	12.20	BAY51-Q36 x 2G	36 x 2	12.40
BAY51-Q18 x 1L	18 x 1	6.80	BAY51-Q18 x 2L	18 x 2	7.00
BAY51-Q18 x 1X	18 x 1	6.70	BAY51-Q18 x 2X	18 x 2	6.90
BAY51-Q18 x 1B	18 x 1	7.80	BAY51-Q18 x 2B	18 x 2	7.90
BAY51-Q18 x 1D	18 x 1	8.10	BAY51-Q18 x 2D	18 x 2	8.20
BAY51-Q18 x 1G	18 x 1	7.70	BAY51-Q18 x 2G	18 x 2	7.85

Note: Products above include all the mounting accessories listed in Mounting Accessories & Spare Parts Table (see P2/10~11).

Technical data					
Explosion-proof emergency light fittings for fluorescent lamp BAY51-Q □ x □□ J					
Explosion protection					
Gas explosion protection	⊕ II 2 G Ex deq IIC T4				
Dust explosion protection	Ex tD A21 T80°C IP66				
Certificates					
For gas explosion protection	LCIE 10 ATEX 3009; BVC 10.0203 (Brazil); FM (USA); GOST.R (Russia); IECEX				
For dust explosion protection	PCEC (China)				
Conformity to standards	EN 60079-0:2006, EN 60079-1:2004, EN 60079-5:2007, EN 60079-7:2007 IEC 60079-0: 2004, IEC 60079-1:2003, IEC 60079-5:2007, IEC 60079-7:2006 IEC 61241-0: 2004, IEC 61241-1: 2004				
Material					
Enclosure	GRP, stands 7J impact, corrosion-proof				
Diffuser	Polycarbonate, 90% light transmission, stands 7J impact				
Emergency unit	Special emergency controller and NI-MH battery pile, with protection against over charge and over discharge				
Emergency controller	BY-2 explosion-proof emergency controller. Certificate No.: LCIE 10 ATEX 3010U				
Exposed fastener	Stainless steel				
Lamp					
Lamp brand	PHILIPS T8 (supplied with the light fittings)				
Lamp wattage (W)	<table border="1"> <tr> <td>36W x 2</td> <td>18W x 2</td> </tr> <tr> <td>36W x 1</td> <td>18W x 1</td> </tr> </table>	36W x 2	18W x 2	36W x 1	18W x 1
36W x 2	18W x 2				
36W x 1	18W x 1				
Emergency wattage (W)	36W x 1, 18W x 1				
Emergency start time	0.3s				
Charge time	24h				
Emergency lighting time	120min (180min is optional)				
Rated voltage	96~254V AC 50/60Hz				
Protection class	II (Protection against electric shock)				
Degree of protection	IP66				
Ambient temperature	-20°C ~ +55°C				
Terminal	3 x 1.5~4mm ² (L+N+PE)				
Cable entries	4 x Ø26: 2 x M25 x 1.5 cable gland (DQM-I Ex e, plastic), 2 x M25 x 1.5 plug.				
Available cable outer diameter	Ø9~Ø16 (mm)				



Selection table					
Type/Ordering code	Lamp wattage(W)	Weight(kg)	Type/Ordering code	Lamp wattage(W)	Weight(kg)
BAY51-Q36 x 1LJ	36 x 1	13.00	BAY51-Q36 x 2LJ	36 x 2	13.05
BAY51-Q36 x 1XJ	36 x 1	12.95	BAY51-Q36 x 2XJ	36 x 2	13.10
BAY51-Q36 x 1BJ	36 x 1	14.00	BAY51-Q36 x 2BJ	36 x 2	14.10
BAY51-Q36 x 1DJ	36 x 1	14.30	BAY51-Q36 x 2DJ	36 x 2	14.45
BAY51-Q36 x 1GJ	36 x 1	13.90	BAY51-Q36 x 2GJ	36 x 2	14.05
BAY51-Q18 x 1LJ	18 x 1	8.65	BAY51-Q18 x 2LJ	18 x 2	8.80
BAY51-Q18 x 1XJ	18 x 1	8.50	BAY51-Q18 x 2XJ	18 x 2	8.70
BAY51-Q18 x 1BJ	18 x 1	9.60	BAY51-Q18 x 2BJ	18 x 2	9.75
BAY51-Q18 x 1DJ	18 x 1	9.90	BAY51-Q18 x 2DJ	18 x 2	10.00
BAY51-Q18 x 1GJ	18 x 1	9.50	BAY51-Q18 x 2GJ	18 x 2	9.65

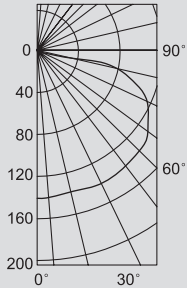
Note: Products above include all the mounting accessories listed in Mounting Accessories & Spare Parts Table (see P2/10~11).

Light Fittings for Fluorescent Lamp BAY51-Q Series Explosion-proof Light Fittings for Fluorescent Lamp

Photometric data

18W x 2 photometric data

Rated luminous flux:2100lm;
The data from PHILIPS lamp;
Luminous intensity distribution
cd/1000lm

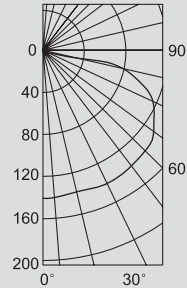


Angle	CP	Angle	CP
0	333	50	184
5	332	55	155
10	328	60	124
15	320	65	93
20	310	70	63
25	295	75	37
30	278	80	17
35	259	85	0
40	236	90	0
45	211		

18W x 1 fluorescent lamp*0.5

36W x 2 photometric data

Rated luminous flux:5000lm;
The data from PHILIPS lamp;
Luminous intensity distribution
cd/1000lm

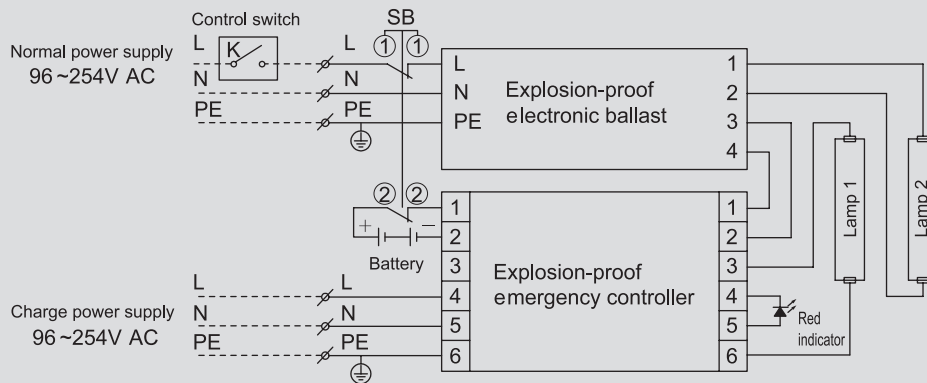


Angle	CP	Angle	CP
0	705	50	682
5	703	55	658
10	702	60	433
15	699	65	594
20	697	70	549
25	697	75	469
30	700	80	328
35	699	85	0
40	695	90	0
45	688		

36W x 1 fluorescent lamp*0.5

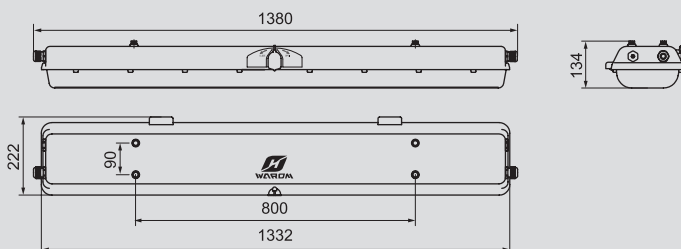
We can provide lighting design and data by professional lighting software DIALUX based upon simulated site situation on request.

Schematic diagram (BAY51-Q □ x □ □ J)

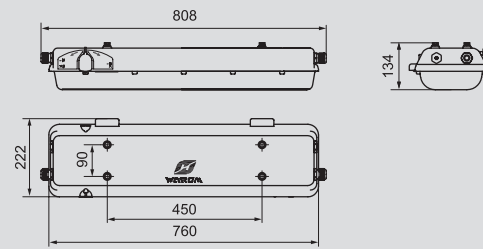


Note: Tube for lamp 2 shall be default for single tube fittings.

Dimension drawings (all dimensions in mm) - subject to alteration



BAY51-Q36 x □ □ □



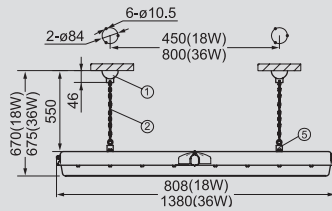
BAY51-Q18 x □ □ □



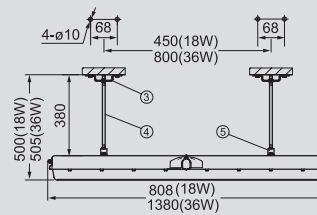
Mounting type (all dimensions in mm) - subject to alteration

Installation reference

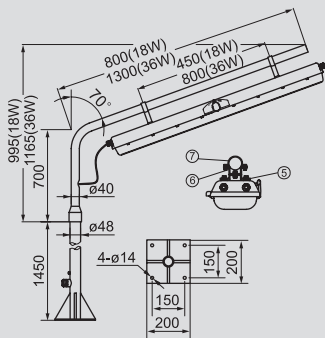
D: pendant chain type



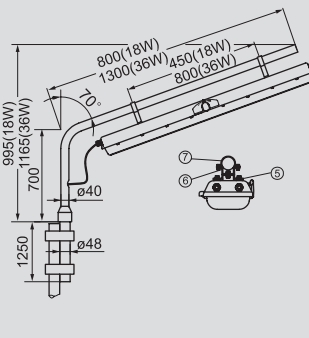
G: pendant pole type



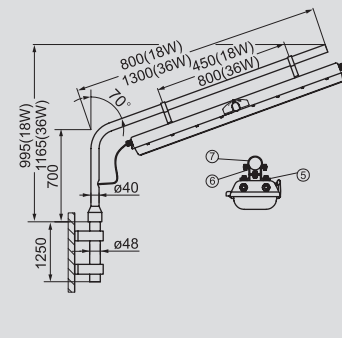
L: pole type (the pole is provided by user)



Suitable for ground pole type

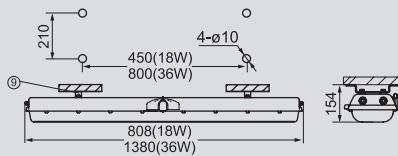


Suitable for fence pole type

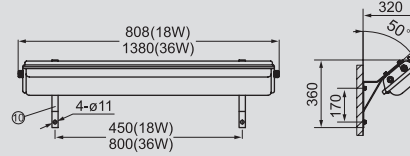


Suitable for wall pole type

X: ceiling type



B: wall type



Mounting accessories and spare parts table

Supplied according to the mounting type

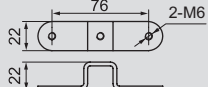
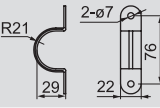
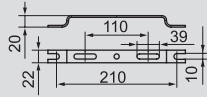
Mounting type	Accessories			Ordering code	Weight (kg)
	Name	Qty	Illustration		
D: pendant chain type	①.Sucker	2		5136017	0.15
	②.Chain	2	Length: 450mm	5136016	0.08
	⑤.Mounting bracket	2	Same as pendant pole type	5136030	0.07
G: pendant pole type	③.Mounting bracket	2		51S01G1	0.04
	④.M8 Screw	2	Length: 350mm	51S01G2	0.12
	⑤.Mounting bracket	2		5136030	0.05

Note: Accessories not in the table shall be supplied by user.

Light Fittings for Fluorescent Lamp BAY51-Q Series Explosion-proof Light Fittings for Fluorescent Lamp





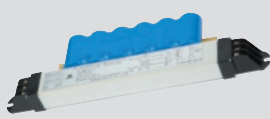
Mounting accessories and spare parts table

Supplied according to the mounting type

Mounting type	Accessories			Ordering code	Weight (kg)
	Name	Qty	Illustration		
L: pole type	⑥.Mounting bracket	2		5136012	0.04
	⑦.G1 1/4" Pipe clamp	2		5136014	0.04
	⑤.Mounting bracket	2	Same as pendant pole type	5136030	0.07
X: ceiling type	⑨.Mounting bracket	2		5136015	0.20
B: wall type	⑩.Wall bracket	2	Welded sheet steel	5136B02	0.62

Note: Accessories not in the table shall be supplied by user.

Accessories

Picture	Name	Ordering code	Weight (kg)
	Explosion-proof distance switch	5136003	0.04
	Spanner	5136004	0.02
	Lamp holder (with wires)	5136005	0.02
	36W Explosion-proof electronic ballast	5136011	1.30
	18W Explosion-proof electronic ballast	5118004	1.30
	36W Explosion-proof emergency controller (with battery)	5136019	1.70
	18W Explosion-proof emergency controller (with battery)	5118005	1.70

