

Micro and Mini Torch

Zones: 0, 1, 2, 20, 21 and 22



Product Overview

The Micro and Mini Torches use high-tech light sources to give impressive performance with a compact size, designed for easy pocket storage, and are CE marked to the ATEX Directive and IECEx certified for safe use in potentially explosive gas, vapour, mist or dust atmospheres, where a T4 or T5 temperature class permits. All models are approved to Group I for use in mining applications.

The LED models; M-10 Micro, M-40 and M-60 Minis are approved as Category 1 equipment for use in Gas Zones 0, 1 and 2, and Dust Zones 20, 21, 21 and the M-20 Xenon Mini is approved as Category 2 equipment for use in Gas Zones 1 and 2.

The M-10 Micro has a single white 5mm 'Nichia' LED light source and is powered by four alkaline LR44 'button cells', giving an impressive beam with a two hour duration from a very compact size. The M-20 Mini uses a Xenon filament bulb powered by two LR03 'AAA' cells, giving an excellent narrow beam of light with good range and up to 2.3 hours duration. The M-40 Mini has a cluster of three white 5mm 'Nichia' LEDs, and the M-60 Mini uses a single high power Cree LED giving remarkable light output; both products are powered by three alkaline LR1 'N' cells giving up to ten hours of usable light with the M-40 and up to 3.5 hours* of usable light with the M-60. All supplied with cells.

The Micro and Mini Torches have an ergonomic design and are constructed from high quality thermoplastic resin, with excellent impact and chemical resistance and the polycarbonate lens is set-back within the lens ring to minimise risk of damage. All models have a lanyard hole (M-10 Micro supplied with neck cord), an integral pocket clip for secure retention and to prevent roll on a flat surface, and a push-button for single-handed switching, which is shrouded to guard against accidental operation. All models are certified IP67, sealed against water/dust ingress.

NSN codes

6230-99-1823546 - M-60MOD

Features & Benefits

- ATEX and IECEx Certified
- T4/T5 temperature class
- Ultra small size
- Lightweight, ergonomic design
- Proven impact resistance
- Single handed switching
- Switch protection shroud
- Integral pen style pocket clip
- IP67 water and dust tight
- Gas and Dust Approval (M-20 Not Dust approved)
- Group I Mining Approval

Certifications



0598

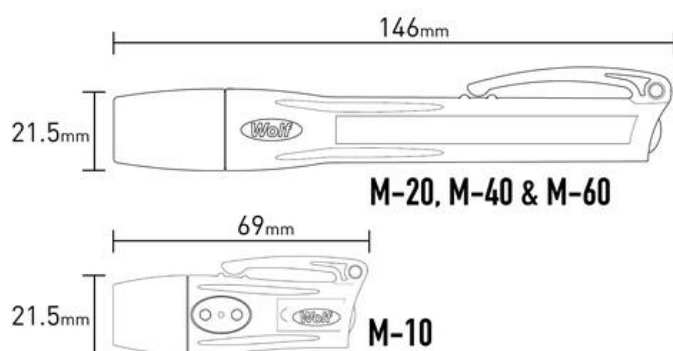
Technical Specification

Product Reference		M-10	M-20	M-40	M-60
Product Description		LED Micro Torch	Xenon Mini Torch	LED Mini Torch	1W LED Mini Torch
Code	Industrial	I M1/II 1GD Ex ia I Ma/IIC T5 Ga (-40°C ≤ Ta ≤ +50°C)	I M2/II 2G Ex ib I Mb/IIC T4 Gb (-40°C ≤ Ta ≤ +40°C)	I M1/II 1GD Ex ia op is I Ma/IIC T4 Ga (-40°C ≤ Ta ≤ +50°C)	I M1/II 1GD Ex ia op is I Ma/IIC T4 Ga (-40°C ≤ Ta ≤ +50°C)
	Gas				
	Dust	Ex ia IIIB T95°C Da IP67	N/A	Ex ia op is IIIB T125°C Da IP67	Ex ia op is IIIB T130°C Da IP67
	Mining	I M1 Ex ia I Ma IP67	I M2 Ex ib I Mb IP67	I M1 Ex ia I Ma IP67	I M1 Ex ia op is I Ma IP67
Type of Protection		ia	ib	ia	
Area of Class (Gas)		Zones 0, 1 & 2, Gas Group IIC	Zones 1 & 2, Gas Group IIC	Zones 0, 1 & 2, Gas Group IIC	
Temp. Class (Gas)		T5	T4		
Ambient Temp.		-40°C to +50°C	-40°C to +40°C	-40°C to +50°C	
Area of Class (Dust)		Zone 20, 21 & 22, Dust Group IIIB		Zone 20, 21 & 22, Dust Group IIIB	
Max Surface Temp. (Dust)		95°C		125°C	130°C
Certification		Baseefa06ATEX0084X - IECEx BAS 06.0023X			
Enclosure		Impact Resistant Thermoplastic			
Lens		Polycarbonate			
Beam Type		Medium Spot	Narrow Spot	Medium Spot	

Light Source	Part No.	-	M-201	-	-
	Type	1x5mm LED White (Nichia)	Xenon Filled Filament Bulb	3 x 5mm LED White (Nichia)	1 x High Power Cree LED
	Rating	-	2.3V 0.3A	-	1 Watt
	Output	30 cd	15 lm	3 x 30 cd	Up to 107 lm
	Life	25,000 hrs	30 hrs	25,000 hrs	
Power Source	Part No.	M-102 (4 pack)	M-202 (2 pack)	M-402 (3 pack)	
	Type	LR44 Primary Cells to IEC60086	LR03 Primary Cells to IEC60086	LR1 Primary Cells to IEC60086	
	Volts	4 x 1.5V	2 x 1.5V	3 x 1.5V	
Light Duration		Up to 2 hrs	Up to 2.3 hrs	Up to 10 hrs	1.5-3.5 hrs*
Ingress Protection		IP67 to EN60529:1992			
Weight (incl. cells)		25g	60g		

- *M-60 battery duration/light output is dependent on battery make and type.
- All information has been gathered under laboratory conditions, the user must regard the values given as approximate.
- Changes may be made to the above specification without notification, details are available on request.

Product Dimensions



Light Output

M-10

Spot Beam (approx. 13°)
Peak luminous intensity at 2.5m **8 lux**

M-20

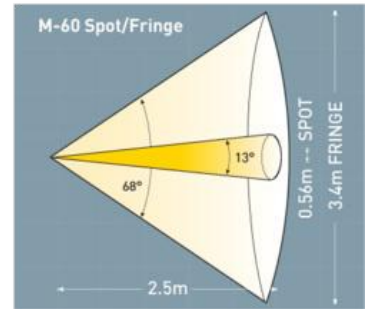
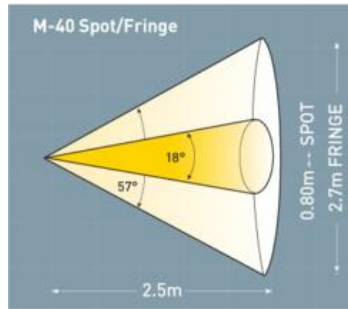
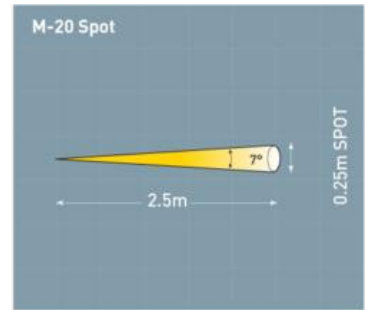
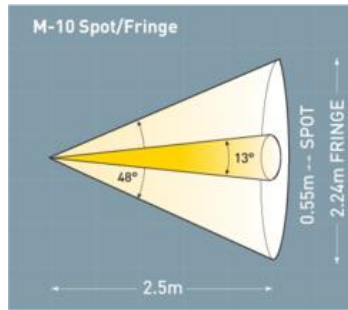
Spot Beam (approx. 6°)
Peak luminous intensity at 2.5m **100 lux**

M-40

Spot Beam (approx. 18°)
Peak luminous intensity at 2.5m **60 lux**

M-60*

Spot Beam (approx. 8°)
Peak luminous intensity at 2.5m **275 lux**



Version: SL011 DF528 Issue 14



THORNE &
DERRICK
INTERNATIONAL

Thorne & Derrick
+44 (0) 191 410 4292
www.heatingandprocess.com